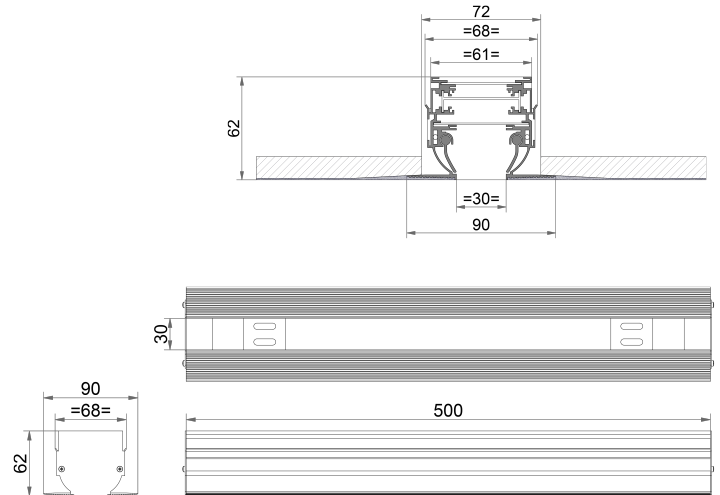


General information

Retractable linear diffuser with baffles



Specifications

Article number	HBDG 305
Product category	Air extraction /Air distribution
Material	Aluminium
Colour	RAL 9005
Wall Thickness (mm)	1,5 ± 0,5 mm
Weight (kg)	0,80

Dimensions

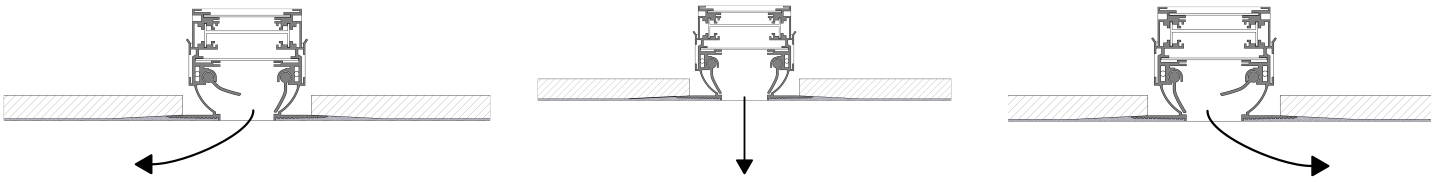
Dimensions (l x w x h mm)	500 x 90 x 62
---------------------------	---------------

Application Insights

Application	Air
Supply / Extract	Supply / Extract
Temperature range (°C)	-25 / +80

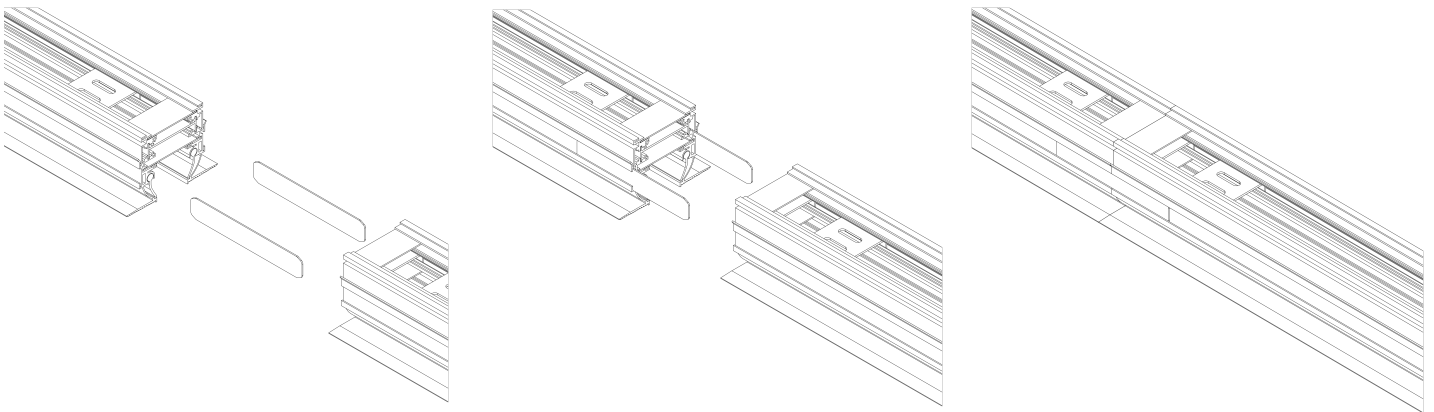
Air flow adjustment

Thanks to the internal baffles, you can choose the direction of flow



Extension kit mounting

Thanks to the extension kit for diffuser, made by a couple of plate, you can install linear diffuser longer than 0,5 m



Technical Specifications

Flow velocity pressure table

Flow rate	m ³ /h	52,55	79	105	131	184
Throw	m	1,6	2,5	3,4	4,2	5,8
Effective velocity	m/s	2	3	4	5	7
Pressure loss	Pa	8	15	26	40	70
Noise index	dB(A)	<20	22	32	37	48

Please note: test results based on a ceiling-mounted linear diffuser with lateral flow, terminal velocity $v_f = 0.25$ m/s and 10-12 °C temperature differential.