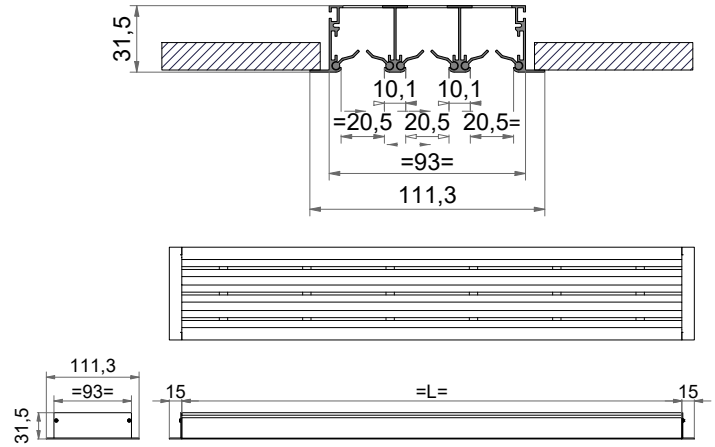


General information

Linear slot diffuser with two baffles, white frame



Specifications

Article number	HBDG 306 HBDG 308 HBDG 310
Product category	Air extraction /Air distribution
Material	Aluminium
Colour	RAL 9016
Wall Thickness (mm)	1,5 ± 0,5 mm
Weight (kg)	-

Dimensions

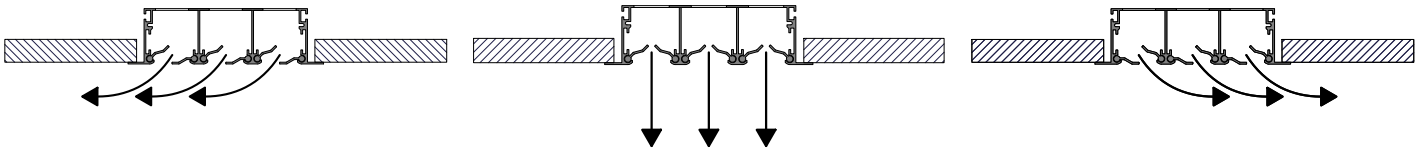
Article number	HBDG 306	HBDG 308	HBDG 310
Dimensions (l x w x h mm)	600 x 111,3 x 31,5	800 x 111,3 x 31,5	1000 x 111,3 x 31,5

Application Insights

Application	Air
Supply / Extract	Supply / Extract
Temperature range (°C)	-25 / +80

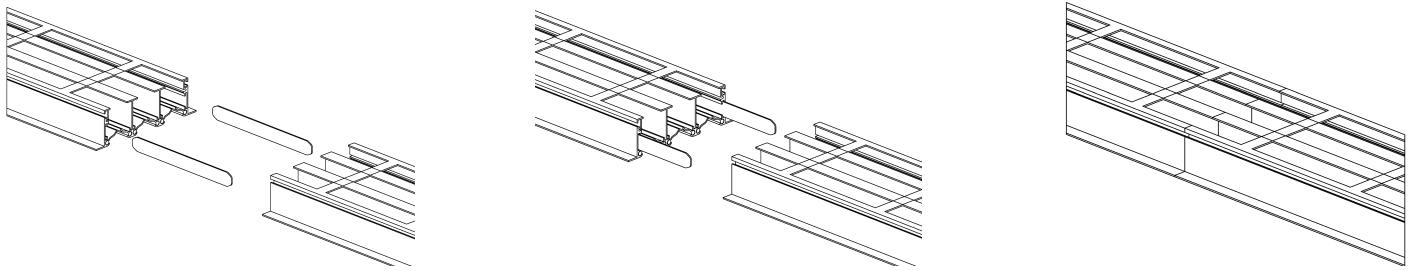
Air flow adjustment

Thanks to the internal baffles, you can choose the direction of flow



Extension kit mounting

Thanks to the extension kit for diffuser, made by a couple of plate, you can install linear diffuser longer than 1 m



Technical Specifications

Flow velocity pressure table

Flow rate	m ³ /h	100	130	160	200	230	250	290	320	360
Lateral throw	m	2,0	2,5	3,1	3,8	4,4	4,8	5,5	6,1	6,8
Effective velocity	m/s	0,8	1,0	1,2	1,5	1,7	1,9	2,2	2,4	2,7
Pressure loss	Pa	1,4	2,4	3,6	5,6	7,4	8,8	11,8	14,3	18,0
Noise index	dB(A)	<20	<20	20	26	30	32	36	38	42

Please note: test results based on a ceiling-mounted linear diffuser, 1 meter long, with lateral flow and terminal velocity $v_f = 0.25$ m/s.

Noise correction coefficient: $L = 1,5 \div 2$ m -> dB(A) + 2

$L \geq 2$ m -> dB(A) + 5

Vertical throw correction coefficient: $\Delta T = -10$ °C -> Lateral throw x 0,7

$\Delta T = 0$ °C -> Lateral throw x 0,6

$\Delta T = +15$ °C -> Lateral throw x 0,4