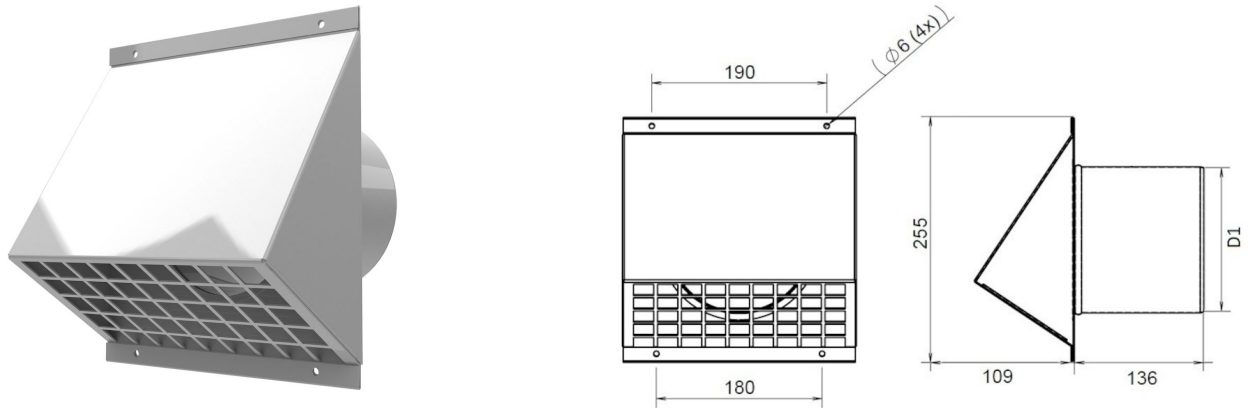


## General information

### Wall terminal Vent 125 White



## Specifications

Article number	400480603
Product category	Ventilation terminals
Material	Aluminium
Colour	RAL-9016
Weight (kg)	0,7

## Dimensions

Diameter inside (mm)	120
Diameter outside (mm)	124
Dimensions (l x w x h mm)	145 x 255 x 267

## Application Insights

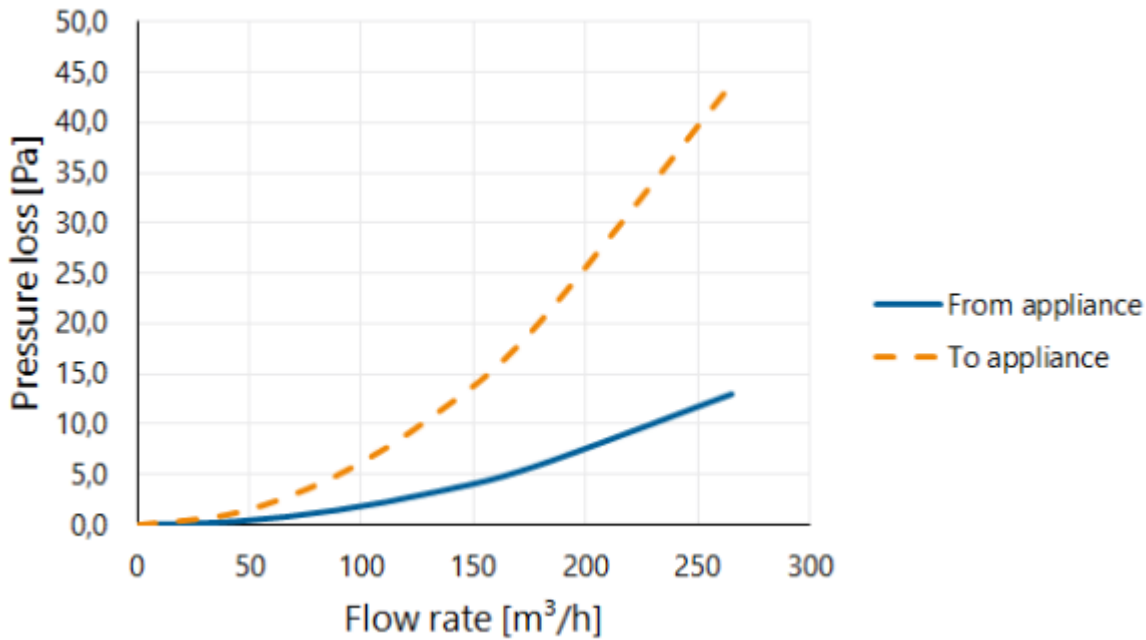
Application	Ventilation
Supply / Extract	Supply/Extract
Temperature range (°C)	-25 / +80

## Technical Specifications

Resistant to ice/rain	Yes
Maximum air flow (m³/h)	250
ζ extract	0,60
ζ supply	2,03
Thermal resistance (W/mK)	-
R-value (m²K/W)	0
Other specifications	-

## Graph

Pressure loss



## Table

Flow velocity pressure table

Flow rate			Static pressure loss	
[m/s]	[m³/h]	[l/s]	From appliance [Pa]	To appliance [Pa]
0	0	0	0,0	0,0
1	44	12	0,4	1,2
2	88	25	1,4	4,9
3	133	37	3,2	11,0
4	177	49	5,8	19,5
6	265	74	13,0	43,9